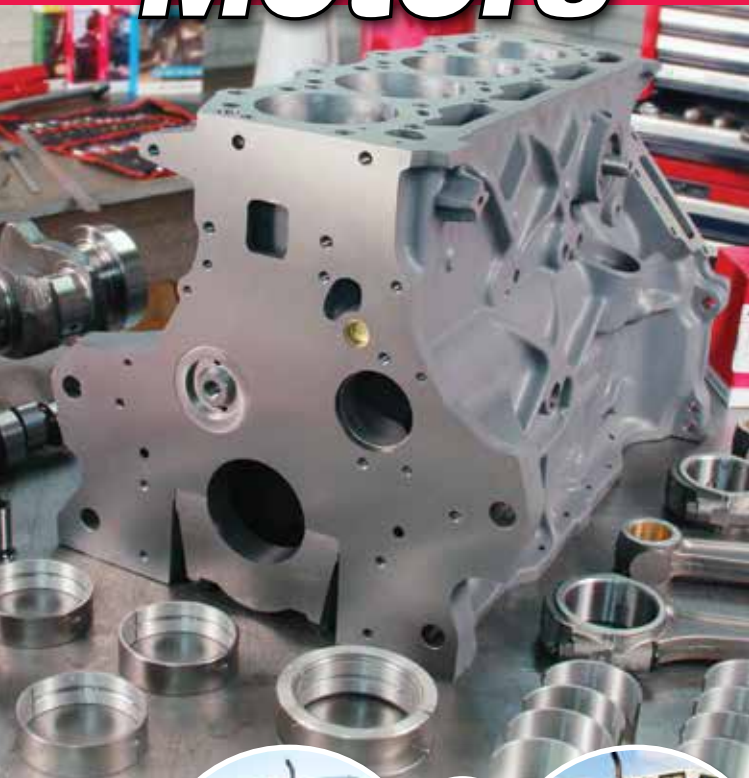


Short Motors



suitable for
**Ford and
Perkins**



VAP VAPORMATIC

Quality Short Motors

Perkins 3 Cylinder

Vapormatic Short Motors are manufactured to the highest standards and use all new Vapormatic parts.

When installing a Vapormatic Short Motor you can be confident that your rebuild will come in on time, on budget and add value to your tractor.

- Blocks and components machined to Vapormatic's specification
- Professionally built in the UK by qualified engineers
- Full 12 months parts and labour warranty
- Reduced downtime of your tractor
- Available at your stockist next day*

What's included?

All blocks are supplied fully assembled including:

- **Block • Crankshaft • Con rods and bearings**
- **Pistons and rings • Liners** (Perkins only) • **Camshaft**

**Next day delivery is subject to availability and delivery charges. Please see your local Stockist for more information.*



In any rebuild it is important to ensure that all engine auxiliary parts are in good working condition. It is recommended that checks and replacements are made where necessary on parts such as, water pumps, thermostats, clutches, silencers, injector nozzles, fan belts, filters and radiator hoses, and that the Engine Running-in Guide (Bulletin 1351) is followed.

Visit www.vapormatic.com to find the parts you need.

Parts you can
TRUST



**Short
Motors**

Short Motors suitable for:

Perkins A3.152

Rope seal replacement

Suitable for:

Massey Ferguson 35, 35X

Part no. **VPB8017**

Perkins AD3.152

Rope seal replacement

Suitable for:

Massey Ferguson 135

Part no. **VPB8018**

Perkins A3.152

Lip seal replacement

5 Ring piston replacement

Suitable for:

Massey Ferguson

135, 230, 240, 250, 340

Part no. **VPB8019**

Perkins A3.152

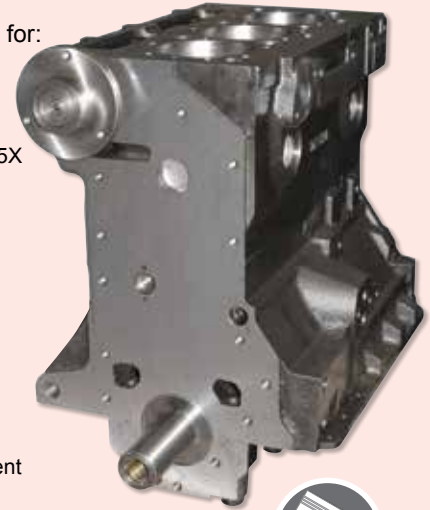
Lip seal replacement

4 Ring piston replacement

Suitable for:

Massey Ferguson 148, 350, 550

Part no. **VPB8020**



For a complete list of supporting parts available for these short motors, please visit:
www.vapormatic.com



VAP VAPORMATIC

Quality Short Motors

Perkins 4 Cylinder

Short Motors suitable for:

Perkins A4.236

Rope seal replacement

Suitable for:

Massey Ferguson 168, 175
plus many more industrial and agricultural applications

Part no. **VPB8027**

Perkins A4.248

Rope seal replacement

Suitable for:

Massey Ferguson 178, 185, 188
plus many more industrial and agricultural applications

Part no. **VPB8028**

Perkins A4.236

Lip seal replacement

Suitable for:

Massey Ferguson 168, 175, 265, 275, 565, 575, 675, 365, 375
plus many more industrial and agricultural applications

Part no. **VPB8029**

Perkins A4.248

Lip seal replacement

Suitable for:

Massey Ferguson 178, 185, 188, 285, 290, 590, 690, 390,
plus many more industrial and agricultural applications

Part no. **VPB8030**



Note

When installing these replacement short motors the following products are also needed:

Top gasket set

Part no. **VPA4006** (without fire ring liners)

Bottom gasket set

Part no. **VPC6007**

Cylinder head bolt kit

Part no. **VPA3920** (if it is a replacement for a MF 300 series or later tractor, then you will not need this kit)

Other products available for the rebuild include

Cylinder head: Part no. **VPA3004**

Balancer unit 4 hole: Part no. **VPD1600**

Balancer unit 6 hole: Part no. **VPD1620**

Timing gears, oil filters, injection pipes, low pressure fuel line, starter motors, clutch, water pump, injector nozzles and more.

For a complete list of supporting parts available for these short motors, please visit: www.vapormatic.com



**Short
Motors**



VAP VAPORMATIC

Ford 3 Cylinder

Short Motor suitable for:

Ford BSD333

3 Cylinder, 111mm bore x 111mm stroke

Also suitable replacement for: BSD442
BSD326, BSD329, BSD330, BSD332

Typical tractor models: Ford 4000,
4600, 4610, 4130, 4330, 4630

Additional models: Ford 2000, 3000,
2600, 3600, 3900, 4100, 2310, 2610,
2810, 2910, 4110, 3230, 3430, 3930

Part no. **VPB8024**



Please note

The following parts will also be required when
the original engine uses 1/2" UNC cylinder head bolts.

VPA5083 Timing cover bolt kit

VPA3913 Cylinder head stud kit

Note

When installing the 3 cylinder short motor
the following products are also needed:

Top gasket set

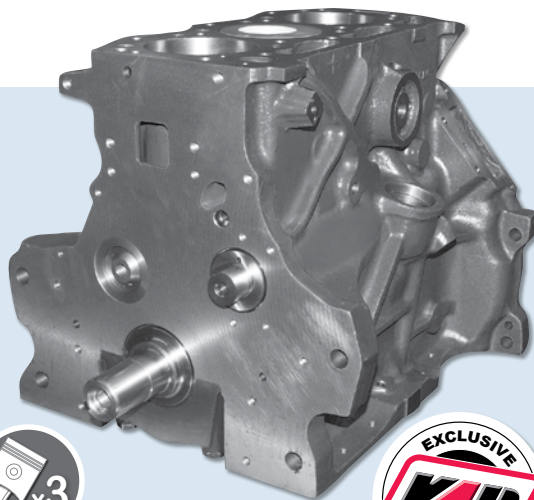
Part no. **VPA4101**

Head gasket

Part no. **VPA4301**

Bottom gasket set

Part no. **VPC6105**



Ford 4 Cylinder

These all new blocks are manufactured
exclusively for Vapormatic using the very
latest "lost-foam" casting technique.

21st century foundry processes and the
metallurgical specification deliver a high
degree of accuracy and an excellent surface
finish, both internally and externally.

Both 3 and 4 Cylinder short motors include:

- Oil pump • Oil pump drive gear
- Oil pump driveshaft

Short Motors suitable for:

Ford BSD444 - Normally Aspirated

4 Cylinder, 111mm bore x 111mm stroke
Suitable for: Ford 6410, 6600, 6610, 6700

Also suitable replacement for: BSD442
Suitable for: Ford 5000, 5110, 5600,
5610, 6700

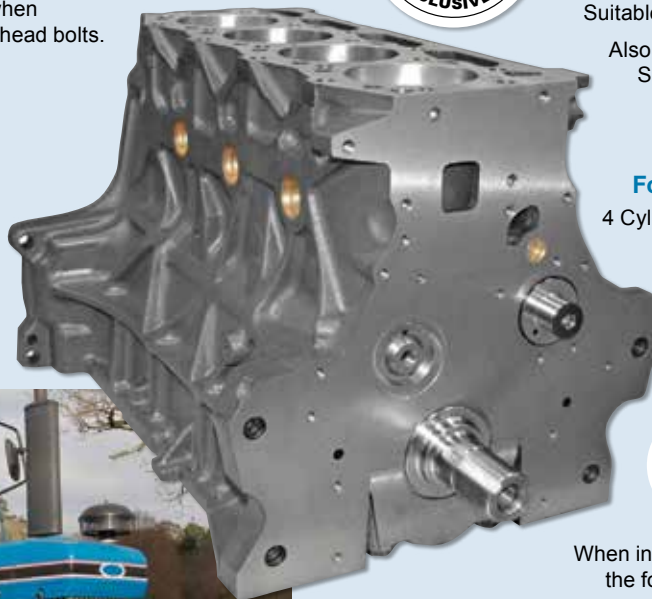
Part no. **VPB8025**

Ford BSD444T - Turbo version

4 Cylinder, 111mm bore x 111mm stroke
Suitable for: Ford 6810, 7600,
7610 7710

Also suitable replacement
for: BSD442T
Suitable for: Ford 7600, 7700

Part no. **VPB8026**



Note

When installing the 4 cylinder short motors
the following products are also needed:

Top gasket set

Part no. **VPA4103**

Head gasket

Part no. **VPA4303**

Bottom gasket set

Part no. **VPC6106**

For further information and a complete list of supporting parts
available for these short motors, please refer to the Short Motor
Adaptation Information & Fitting kit (**Bulletin 1335**) available on

www.vapormatic.com

Short Motors



VAP VAPORMATIC

Short Motors

Established for over 60 years and operating worldwide, Vapormatic is recognised as a leading all makes tractor and machinery parts brand.

With over 26,000 products supported by a market leading 12 months warranty, Vapormatic parts are a quality all makes solution.

Available from:



www.vapormatic.com

The Vapormatic Co. Ltd.

1/17

Publication No.: PEA3014 © The Vapormatic Co. Ltd.

Whilst specifications are considered to be correct at the date of printing, we reserve the right to change specifications without prior notification. E.& O. E. Original equipment manufacturers names and part numbers are quoted for reference purposes only and are not intended to suggest that our replacement parts are made by the original equipment manufacturer.



VAP VAPORMATIC